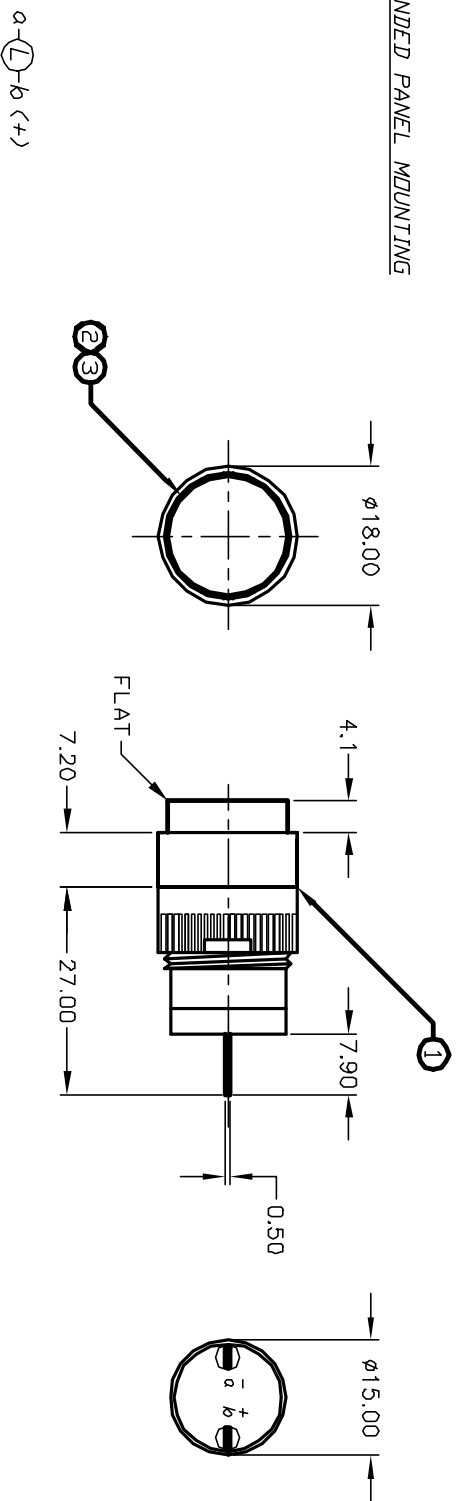


RECOMMENDED PANEL MOUNTING

PARTS LIST			
ITEM	QTY.	PART NO.	PART DESCRIPTION
1	1	F040003	L16 PL R1
2	1	F050424	50-004-24 (YELLOW L.E.D.)
3	1	F050116	50-001-16 (YELLOW)



CIRCUIT: SPST

NOTES:

1. ALL DIMENSIONS IN MM
2. GENERAL TOLERANCE: X.X=±0.4  
X.XX=±0.25
3. RATINGS: 1A, 2A, 4A, 5A @250V AC
4. CONTACT MATERIAL: COPPER ALLOY W/Silver Plating
5. LAMP VOLTAGE: 24V DC L.E.D.

REV.	ECN No.	DESCRIPTION	DATE	CHKD
A	11561	RELEASE FOR PRODUCTION	1/6/03	CJB

TITLE	SCALE	DATE	DR	DWG	REV
L16 PL R10 K YEL YEL (Flat Lens)	1:1	--	--	XF00244	A



THE INFORMATION CONTAINED IN THIS DOCUMENT IS PROPRIETARY TO E-SWITCH AND IS NOT TO BE COPIED OR TRANSMITTED